

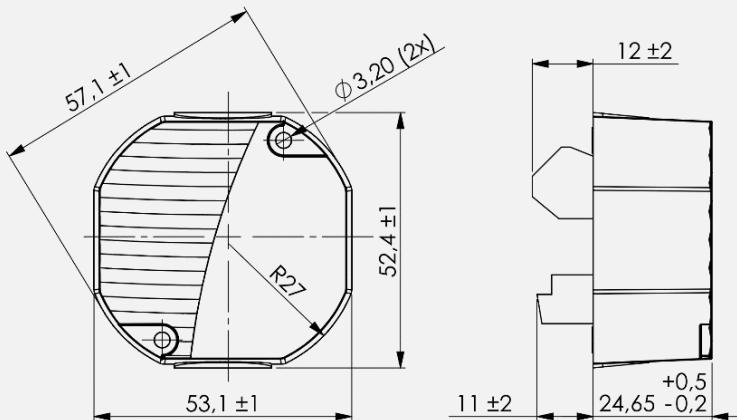
The flush-mounted power supply unit has been designed so that it is not visible and can be conveniently installed. Alternatively, it can also be mounted on the wall through the mounting holes already provided.

TECHNICAL DATA

Output power	18 W
Output voltage	5-24 V
Output current	2,5 A
Universal input voltage	90-264 V
Operating temperature	-20°C - 80°C
Efficiency	86 %
Standby Power	51 mW
Efficiency level	VI
Means of protection	2 x MOPP
Insulation of output	SELV
Leakage current	max. 0,1 mA

LOGISTICAL DATA

Item number	187.300
Short name	NT-100
Dimensions packing in mm	96 x 107 x 37
Weight incl. packing	120 g



ADVANTAGES

- IP 68 waterproof
- Low standby losses
- High efficiency
- Protection class 2
- Thermally protected and short circuit proof

SCOPE OF DELIVERY

- 24 V 18 W power supply
- Instruction manual