

The window control FS-100 enables the integration of various drives into the smart home world of Homematic IP. Whether controlled via app or fully automated via Homematic IP products such as buttons or sensors, the window control ensures an ideal indoor climate.





TECHNICAL DATA

Dimensions L x W x H in mm	104 x 26 x 23
Weight	25 g
Protection class	IP 20

Input

Rated voltage	24 V DC
Rated current	750 mA

Output drive

Output voltage	24 V DC
Output current	750 mA

Output SIG

Output voltage	24 V DC
Output current	160 mA

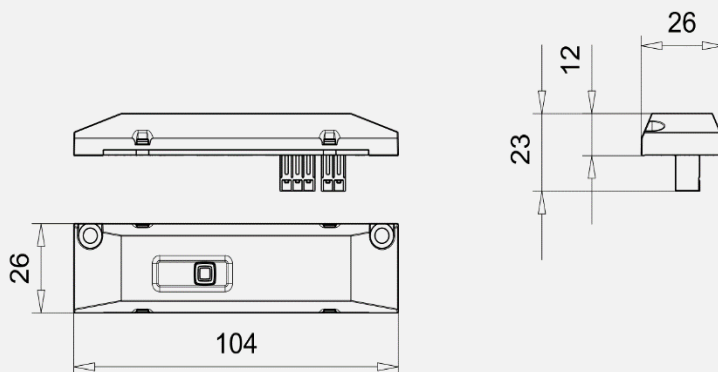
Radio

Radio frequency	868,0 - 868,6 MHz / 869,4 - 869,65 MHz
Receiver category	SRD category 2
Max. radio transmitting power	10 dBm
Standard radio range	250 m
Duty cycle	< 1 % pro h / < 10 % per h

ADVANTAGES

- Compatible with TEXINO turn-tilt drive and all 24 V actuators with pole-changing controls
- Concealed installation
- Easy commissioning of the drive due to setting options directly on the window control unit

DIMENSIONS



LOGISTICAL DATA

Item no.	187.106
EAN-Code	4047976566662
Dimensions packing in mm	154 x 98 x 44
Weight incl. packing	57 g



SCOPE OF DELIVERY

- Window control FS-100
- Quick start guide

Smart Home operation requires connection to one of the following Homematic IP solutions: Wired Access Point, WLAN Access Point or Access Point.

Each is usable with free app and toll-free cloud service.