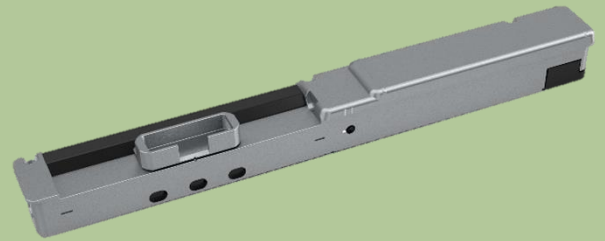


The DK-100 tilt and turn actuator can enable a relaxed opening and closing of the windows. It is operated by means of conventional buttons and switches or in combination with the TEXINO window control FS-100 directly via the Homematic IP app. However, the manual opening and closing of the window remains in any case.



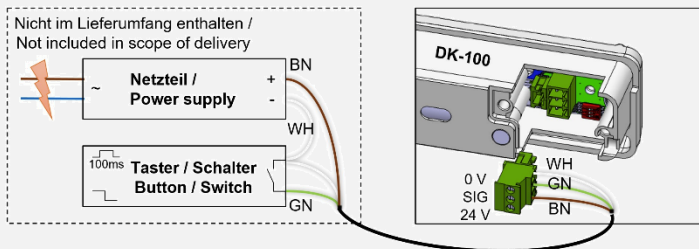
Turn-tilt drive



TECHNICAL DATA

Dimensions LxWxH in mm	336 x 37 x 34
Weight	768 g
Protection class	IP 21
Rated voltage	24 V
Rated current	0,75 A
Rated power	18 W
Max. Cut-off current	18 A

CONNECTION



LOGISTICAL DATA

Item number	187.105
Short name	DK-100
Dimensions packing in mm	348 x 91 x 46
Weight incl. packing	918 g

SCOPE OF DELIVERY

- DK-100 turn-tilt drive
- Connector plug and cable
- Mounting screws
- Magnet
- Closure cap
- Instruction manual

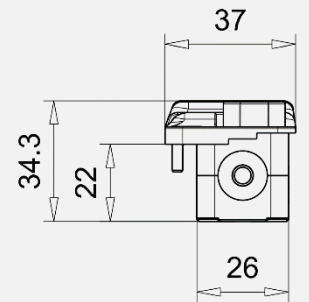
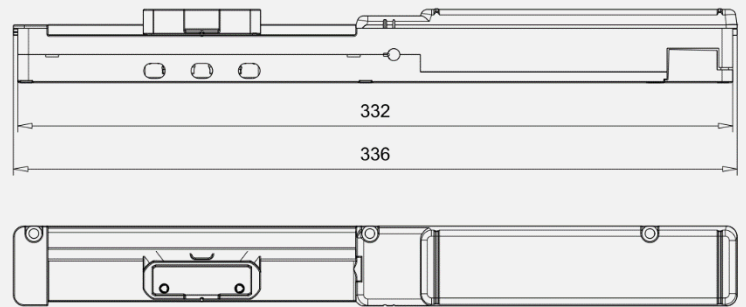
ADVANTAGES

- Barrier-free opening of windows that are difficult to reach
- Convenient smart home integrations with the app
- Manual handle operation is still possible

OTHER FEATURES

Very quiet drive, for almost silent use in all rooms. Different setting options allow the speed and noise level to be adjusted to the individual needs of the user.

DIMENSIONS



Smart Home operation requires connection to one of the following Homematic IP solutions: Wired Access Point, WLAN Access Point or Access Point.

Each is usable with free app and toll-free cloud service.

TEXINO
smart up your home